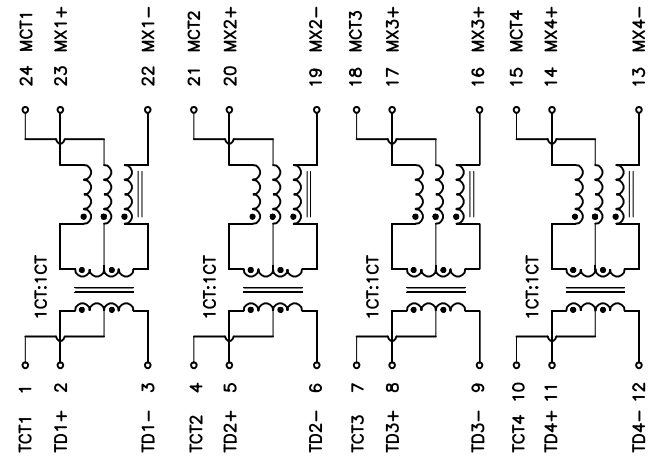


SUGGESTED PAD LAYOUT



* RoHS COMPLIANT

ELECTRICAL CHARACTERISTICS @25°C :

- INSULATION HI-POT : 1500 Vrms/1mA ,60Sec.
- TURN RATIO (±5%) : 1CT : 1CT
- OCL : : (@100kHz, 0.1Vrms) : 120uH MIN.
- CROSS TALK (dB MIN.) : 1-100MHz 100-500MHz
-40 -30
- INSERTION LOSS : 100kHz 1-500MHz
-3.0dB MAX. -2.0dB MAX.
- RETURN LOSS : 1-40MHz 40-500MHz
-18dB MIN -18+10*log(f/40)dB MIN
- DIFFERENTIAL TO COMMON MODE REJECTION (dB MIN.) :
1-250MHz 250-500MHz
-30 -22
- OPERATING TEMPERATURE RANGE : 0°C~+70°C
- Suitable for End-span PoE applications with 720mA current

IEEE802.3 PoE COMPLIANT PERFORMANCE

UNLESS OTHERWISE SPECIFIED ALL TOLERANCES ARE ±0.25mm

							TITLE 10G BASE-T PoE+ TRANSFORMER	
							DWG. NO. ATPL-515PR	
RELEASE			09/21/2018	SHIRLEY	BETTY	BETTY	UNITS: M/M	SAFETY
NO:	DESCRIPTION	DATE	BY	CHK	APPD	DATE	P/N:	SHEET 1 OF 1
REVISIONS						09/21/18		DRAW SHIRLEY